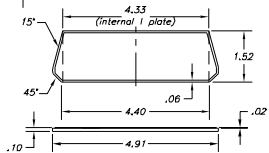
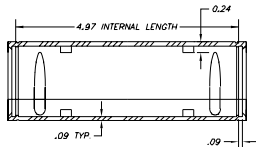
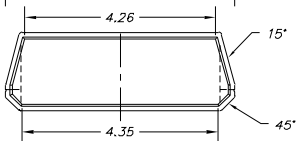
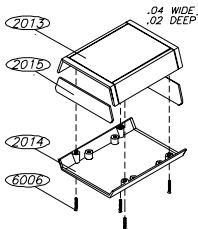
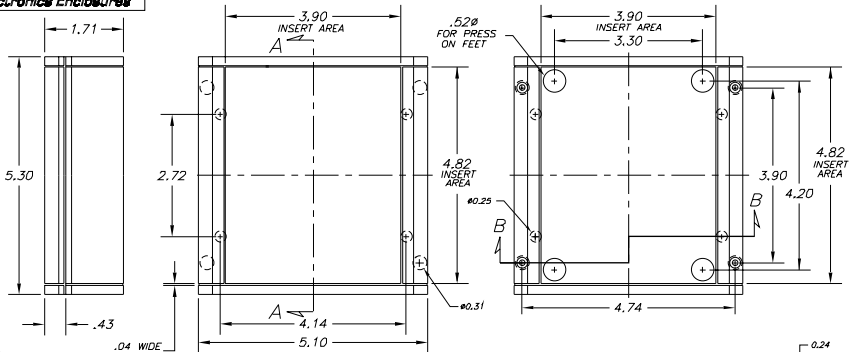


SERPAC A-31

Electronics Enclosures

NOTES:
1. WHEN MACHINE OR I PLATES MODIFICATIONS ARE REQUIRED, USE THE CENTER OF THE ENCLOSURE TO DIMENSION.



SECTION A-A

10-09-98

ALL DIMENSIONS ±.010

| PART NO. | DESCRIPTION | PART NO. | ACCESSORIES |
|----------|-------------------|----------|--------------------------------|
| 2013 | PLASTIC TOP | 51 | PRESS ON FEET |
| 2015 | PLASTIC END PANEL | 2015IR | INFARED PANEL |
| 2014 | PLASTIC BOTTOM | 2015CL | CLEAR & TRANSPARENT RED PANELS |
| 6006 | SCREW | 2015DB9 | 9 PIN CONNECTOR END PANEL |
| | | 2015DB25 | 25 PIN CONNECTOR END PANEL |